



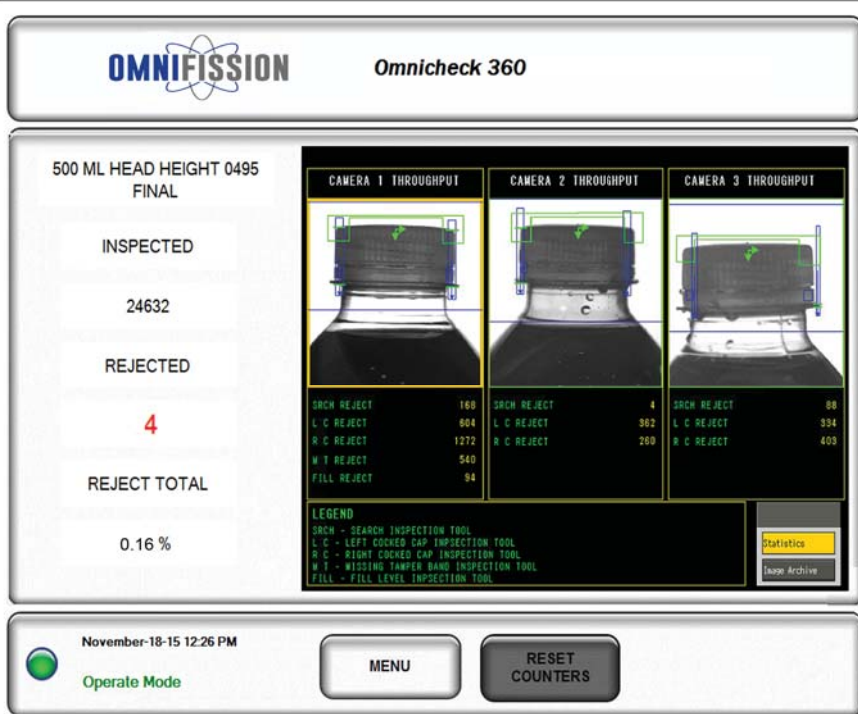
OMNICHECK360



MANUFACTURED IN CANADA



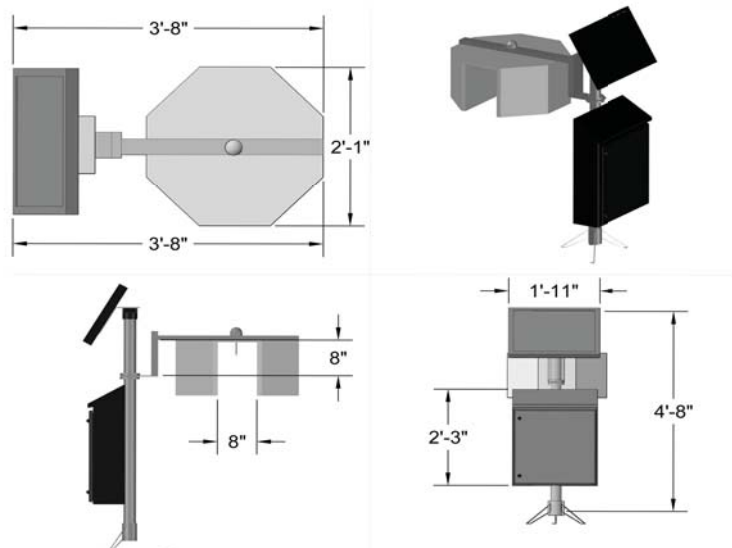
OMNICHECK 360 - Multi Camera Vision Inspection System
Vision system for detecting low fills, high fills, missing cap,
cocked cap, tamper band, label presence & misalignment,
code verification on glass or PET containers @ 1,600 BPM



System Highlights

- 100% Automatic Product Inspection
- Capping & Crimping Defects
- Cap & Crimp Color
- Missing Label
- Label Position
- Fill Level
- Foam Inspection
- Foreign Crown Inspection
- Bar Code Inspection
- Speeds up to 1600 CPM
- High Resolution Encoder Tracking
- 22" HMI with Remote Access
- IP 65 Electronics Enclosure
- FDA 21 CFR Part 11 Complaint
- GMP Design

Dimensions



Specifications

Electrical Requirements: 110 VAC @ 10A or 230 VAC @ 10A • Operating Speed: Up to 1600 CPM • Display Languages: English, French & Spanish
 Environmental Standards: Nema 4X/IP65 • Materials: Stainless Steel Construction